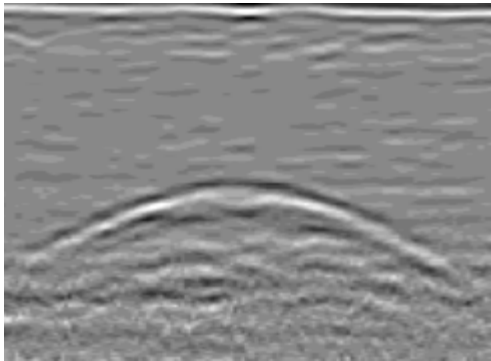


Advanced Technology

Virtual Underground uses a Ground Penetrating Radar array and advanced software to map subsurface areas, mapping individual objects and complex structures made from many common materials. The array has many advantages over single channel systems. Using an array, large areas can be covered efficiently with a far greater data density. This enables better interpretation of the data by showing the shape and extent of buried features. The results of our surveys are presented in both printed and electronic (CAD) format providing a perpetual map of the site.



Radar reflection showing object

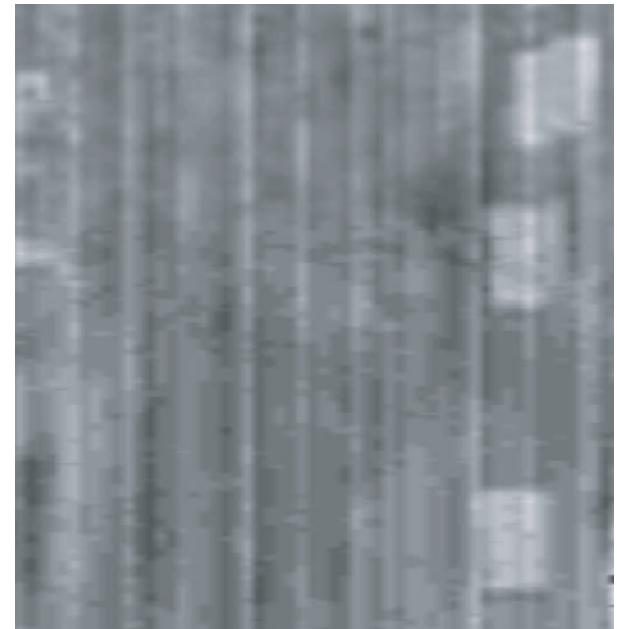
- Burials
- Walls and Foundations
- Pits and Trenches
- Occupation Zones
- Disturbed Soil
- Fire Pits
- Rubbish Dumps / Middens
- Buried Objects

4355J Cobb Parkway
Suite 402
Atlanta, GA 30339

Virtual
Underground
Incorporated

Archaeological Locating and Mapping Service using Ground Penetrating Radar

Remote Sensing for Archaeology



Virtual
Underground
INCORPORATED

Create management and planning maps of sites

Discover subsurface structures, objects and areas of disturbed soil characteristic of occupation. Ground Penetrating Radar can find objects made from many common materials such as metal, stone, pottery and wood. With the dense 3D data from the array, areas of disturbed earth (trenches, pits, areas of old burials, etc.) are easily distinguished. We can also define the boundaries of a site helping to make decisions about land use and development.

Explore a site without destroying it

Our non-destructive and non-invasive technology allows you to examine sites without turning over a shovelful of dirt. Armed with a detailed map of the site, preservation efforts can be more narrowly tailored to the areas of historical significance thereby minimizing the economic impact and saving them for future generations.

Guide costly excavations

Dig in areas where there are clear indications of human activity. Use our technology to define the extent and nature of buried structures. Place trenches in optimum locations maximize limited time and funding resources.



Add a new tool

Investigators around the world have begun using Ground Penetrating Radar (GPR) to look for buried objects. Using a GPR array to map sites is an emerging technology that will improve the use of geophysics for archaeology.

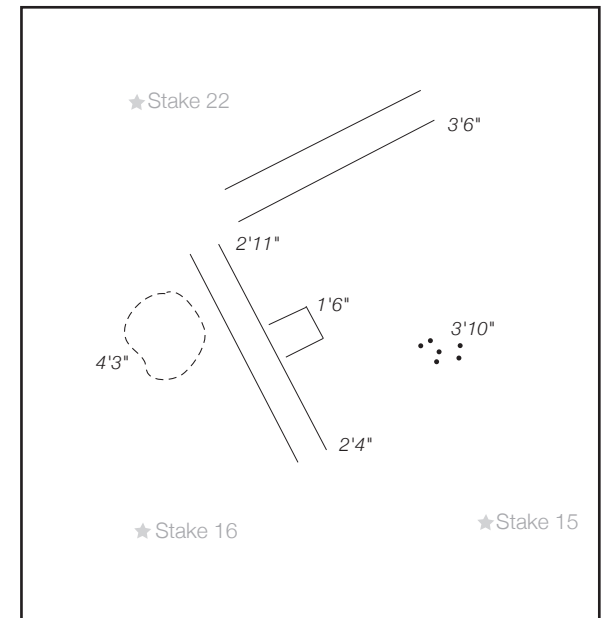
Other Services Offered

- Utility Mapping and Locating
- Site Evaluation
- Environmental Assessment
- Facility Mapping
- Pre-Construction Planning
- Infrastructure Mapping
- Cemetery Mapping

© 2005 Virtual Underground, Inc.

Let the experts handle the job

We are a service company with a broad range of experience in GPR. Using our service eliminates the need to buy expensive equipment and the extensive training required to become proficient with this technology.



Sample map of radar extracted features

Virtual Underground, Inc.

4355J Cobb Parkway
Suite 402
Atlanta, GA 30339

(404) 315-4828

sales @virtualug.com

www.virtualug.com